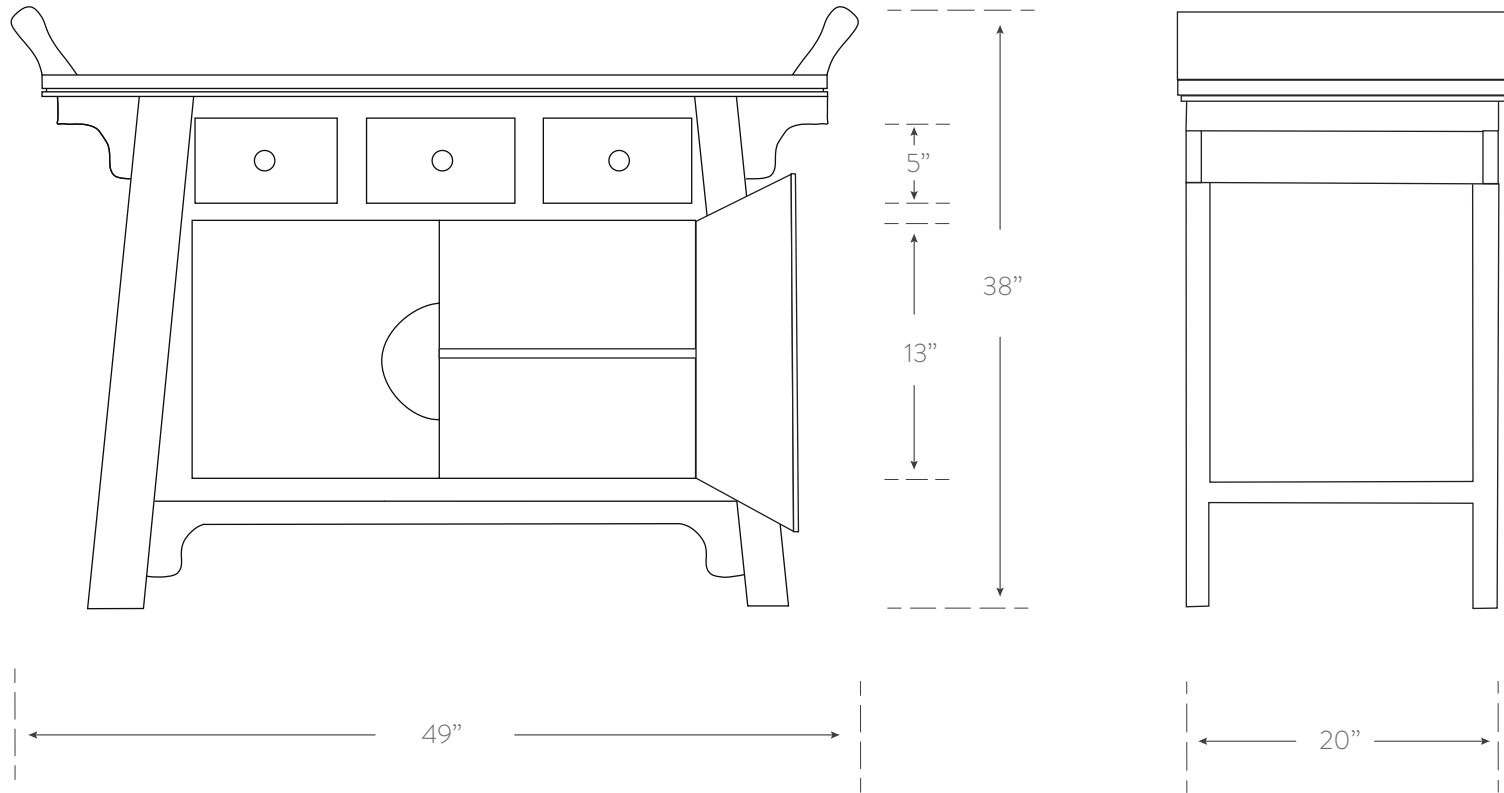


DOUBLE HAPPINESS COLLECTION



WING BUFFET STUDIO

Material

wood
benchmade in usa

SKU DH220

Finish

see Double Happiness
finish chart for options

Dimensions

49w 38h 20d

Interior Dimensions

drawers:

w h d

cupboard:

w h d

hinge clearance:

1.5" each side

Additional Notes

- customization available
- soft close drawers and doors
- standard with wood hardware that can be painted or stained
- adjustable interior shelf